

Dynamica

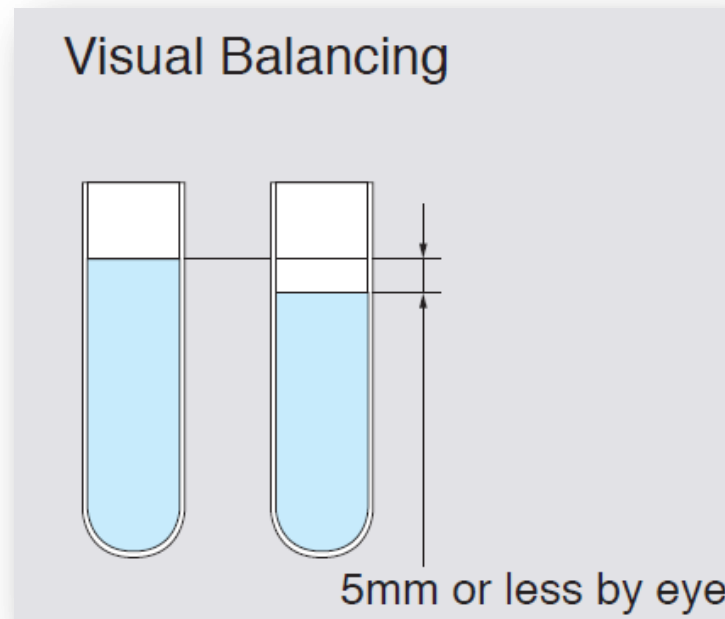


VELOCITY 18R

Refrigerated Benchtop Centrifuge

- Refrigeration to -20°C
- Up to 27,000 xg, up to 18,000 rpm
- Auto Rotor recognition
- Extremely quiet operation
- Select from 7 Fixed Angle and 2 Swing Out rotors
- Accommodates 48 x 0.2ml up to 4 x 250ml tubes
- Large Display
- Easy User Interface
- Onboard memory for 10 programmable routines
- operating Noise <math><58\text{dB (A)}</math>

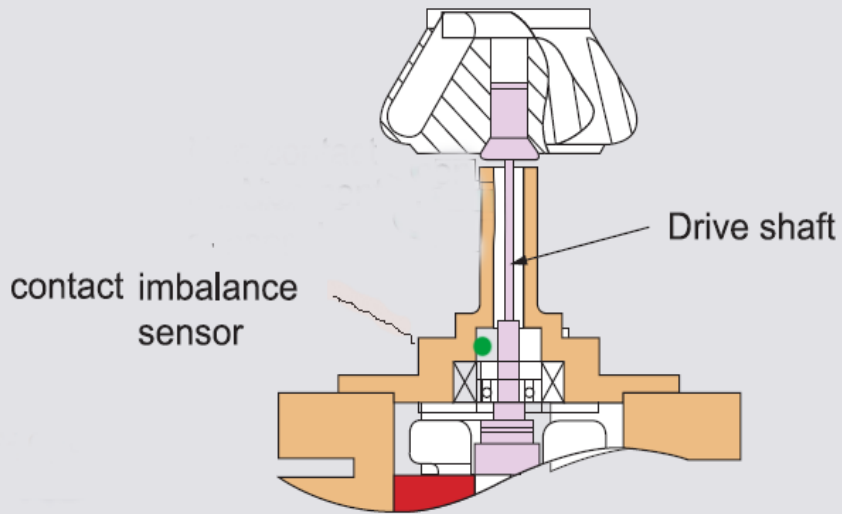
1. eye-balancing



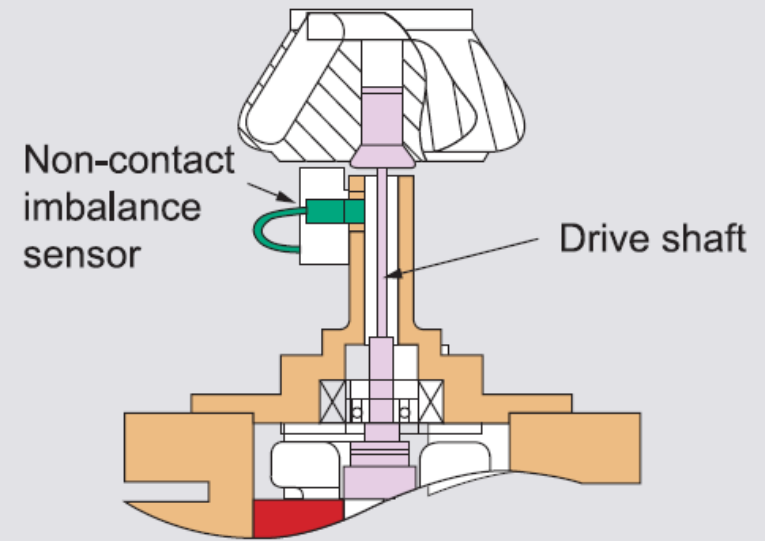
Imbalance tolerance allows sample **eye-balancing**

2. Non-contact imbalance

contact imbalance protection



Non-contact imbalance protection










Non-contact imbalance



detection and shutdown based on the run profile for each rotor across its entire speed range rather than the inferior and conventional microswitch detector.

3. Auto Lock Rotor



- **Auto Lock:**
 - Quick Set Rotor System
 - requires no screws

Rotors Fixed Angle		RPM max	RCF max (xg)	Tube Description (dimension in mm)	Capacity	Adaptor	Rotor autocl.	Rotor Lid
	FA15A	15.000	21.500	Standard micro (10.5 x 41) PCR single tube (8 x 32) PCR single tube (6 x 24)	24 x 1.5 / 2.0ml 24 x 0.5 ml 24 x 0.2 ml	none required FA15.05 FA15.02	121°C	Aluminium
	FA12A	12.000	14.100	PCR single tubes (6 x 24) PCR strips (6 x 24)	48 x 0.2 ml 48 x 0.2 ml	none required none required	121°C	Aluminium
	FA18A	18.000	27.770	Round bottom (16 x 81)	8 x 10 ml	none required	121°C	Aluminium
	FA15B	15.000	21.800	Round bottom (29 x 106) Culture V-bottom (17 x 120) Round bottom (16.5 x 113)	4 x 50 ml 4 x 15 ml 4 x 5 ml	none required FA15.15C FA15.15R	121°C	Aluminium
	FA15C	15.000	23.300	Round bottom (29 x 104) Culture V-bottom (17 x 120) Round bottom (16.5 x 113)	6 x 50 ml 6 x 15 ml 6 x 5 ml	none required FA15.15C FA15.15R	121°C	Aluminium
	FA15D	15.000	20.900	Round bottom (38 x 106)	4 x 80 ml	none required	121°C	Aluminium
	FA18B	18.000	24.990	Standard micro (10.5 x 41) PCR single tube (8 x 32) PCR single tube (6 x 24)	18 x 1.5 / 2.0ml 18 x 0.5 ml 18 x 0.2 ml	none required FA15.05 FA15.02	121°C	Aluminium

Rotors Swing Out		RPM max	RCF max (xg)	Tube Description (dimension in mm)	Capacity	Adaptor	Rotor autocl.	Rotor Lid
	SW5	4.800	4.170	250 ml Bottles (61.6 x 135)	4	none required	121°C (buckets)	4 x Plastic caps with O-Ring (optional)
		4.800	4.170	Blood collection (12-13 x 75-78)	28 x 5 ml	SW5.5B		
		4.800	4.170	Blood collection (12-13 x 100)	28 x 7 ml	SW5.7B		
		4.800	4.170	Blood collection (16x 100)	28 x 10 ml	SW5.10B		
		3.000	1.630	Round bottom glass (12 x 105)	28 x 10 ml	SW5.10G		
		3.000	1.630	Round bottom glass (17 x 110)	28 x 15 ml	SW5.15G		
		4.800	4.170	Round bottom PP (16.5 x 113)	16 x 15 ml	SW5.15P (*)		
		4.800	4.170	Culture V-bottom (17 x 120)	12 x 15 ml	SW5.15CA		
		4.800	4.170	Culture V-bottom (17 x 120)	16 x 15 ml	SW5.15CB (*)		
		4.800	4.170	Round bottom PP (29 x 104)	4 x 50 ml	SW5.50P		
		4.800	3.990	Round bottom glass (35 x 100)	4 x 50 ml	SW5.50G		
		4.800	4.170	V-Boden Kultur (30 x 115)	4 x 50 ml	SW5.50C		
	SW5MP	4.800	3.120	96-Well Microplates	2 x 2 Platten	none required	121°C (buckets)	-
		4.800	3.120	96-Well Deepwell Plates (55H)	2 Platten	none required		
		4.800	3.120	Standard micro-tube (10.8 x 40.5)	48 x 1.5/2.0 ml	SW5MP.15		
		4.800	3.120	PCR single or strip	192 x 0.2ml	SW5MP.02		

**Thank you very much
for your kind attention.**